

# PL400 & 900

PERSONAL POUCH LAMINATORS



CALL TOLL FREE

**1-800-282-9290**

FOR USI EDUCATION OR GOVERNMENT SALES 1-800-243-4565



## To Start

Plug the attached power cord into the appropriate wall outlet. Press the power switch to the ON position. The red power switch will light up while the laminator is turned on. When the laminator reaches operating temperature, the green ready light will go on, indicating the laminator is ready for use.

*Note: The laminator may emit some smoke and a slight odor the first time it is used. There is no need for alarm. This is normal and will cease after it is used a few times.*

## To Laminate

*CAUTION - Failure to use a carrier may damage the machine.*

*DO NOT laminate heat-sensitive thermal paper such as special poster printer or fax machine paper.*

1. Select a carrier that is closest in size to the pouch being used. The carrier must be larger than the pouch and have a minimum length of 4-1/2".
2. Place the material to be laminated in the center of the laminating pouch.
3. Insert the loaded pouch into the carrier. The carrier should completely cover the lamination pouch. This avoids depositing adhesive on the heaters and rollers.
4. Slowly insert the short edge of the carrier into the entrance slot on the laminator. Hold the end of the carrier until the machine rollers grab the carrier. Do not put the carrier into the laminator slot at an angle. Inserting the carrier too fast or pushing the carrier too quickly may cause insufficient lamination of the document's leading edge.
5. The machine's rollers will pull the carrier through the laminator. The carrier will automatically exit the machine on the opposite side.
6. Allow the carrier to lie flat while it cools. If handled before the adhesive cools, the pouch may become distorted. After the carrier cools, remove the laminated item. If the lamination appears cloudy, process the pouch through the laminator a second time.

*Note: We recommend replacing carriers after approximately 50 uses to maintain superior lamination results.*

7. If trimming the laminated item, leave a minimum of 1/8" border around the document for full encapsulation. You may trim the item flush, but this leaves the document edge exposed to the possibility of water damage.
8. Press the power switch to the OFF position after finishing laminating.

## Temperature

The USI Personal Pouch Laminator has been carefully factory-calibrated to produce a laminated pouch of high quality. The temperature setting has been selected to process laminating pouches for good adhesion to the document with minimum edge seal.

# IMPORTANT SAFEGUARDS

When using electrical appliances, basic precautions should always be followed to reduce the risk of electrical shock and injury, including the following:

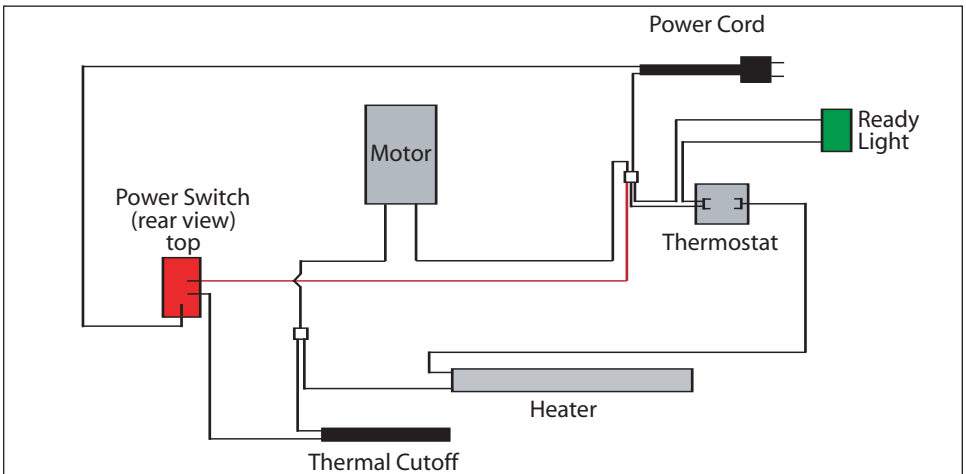
1. Read all instructions.
2. Always unplug the appliance when not in use or before cleaning.
3. Do not use outdoors.
4. Be extremely cautious when the appliance is used near children.
5. To protect against risk of electrical hazards, do not immerse cord, plugs or the appliance in water or other liquid.
6. Do not operate the appliance with a damaged cord or plug, or after the appliance malfunctions, has been dropped or is damaged in any manner. Return the appliance to a service facility for examination, repair or adjustment.
7. Do not let the cord hang over the edge of the counter or touch hot surfaces.
8. Do not use the appliance for other than its intended use.

## PRODUCT SPECIFICATIONS

	PL400	PL900
Opening:	4-1/2" (12 cm)	9-1/2" (24 cm)
Weight:	2 lbs (1 kg)	4 lbs (2 kg)
Width:	8-1/2" (22 cm)	13-3/4" (35 cm)
Depth:	6-1/4" (16 cm)	6-1/4" (16 cm)
Height:	3-3/4" (10 cm)	3-3/4" (10 cm)
Amps:	0.88	1.88
Watts:	105	225
Volts/Cycle:	120VAC/60Hz	120VAC/60Hz
Cord Length:	48"	48"
Max Mil Thickness:	5Mil	5Mil
Warranty*:	90 Day	90 Day

\* from date of purchase.

## PL400 / 900 WIRING DIAGRAM



# WARRANTY

We warranty to the original purchaser the equipment manufactured to be free from defects in material and workmanship under normal use and service. Our obligation under this warranty shall be limited to the repair or exchange of any part or parts which may prove defective under normal use and service within 90 days from the date of shipment and which our examination shall disclose to our satisfaction to be defective. Warranty does not include damage due to operator error or general maintenance. When necessary, purchaser shall properly pack and return the unit to the nearest USI Service Center, freight and insurance prepaid.

This warranty is in lieu of all other warranties expressed or implied, including the warranties of merchant ability for fitness for use and all other obligations or liabilities on our part, and we neither assume nor authorize any other person to assume for us, any other liability in connection with the sale of this laminating machine or any part thereof which has been subject to accident, negligence, alteration, abuse or misuse. We make no warranty whatsoever in respect to accessories or parts not supplied by us. The term "Original Purchaser," as used in this warranty, shall be deemed to the person or company who first puts the equipment into service. This warranty shall apply only within the boundaries of the Continental United States.

## TO REORDER SUPPLIES, PLEASE CONTACT CUSTOMER SERVICE OR VISIT US ON THE WEB [WWW.USI-LAMINATE.COM](http://WWW.USI-LAMINATE.COM)

### POUCH FILM<sup>^</sup>

#1007	Business Card	2-1/4" x 3-3/4"	5Mil	100/box
#6440	Horizontal Luggage Tag w/Slot	2-1/4" x 4-1/4"	5Mil	100/box
#1012	Vertical Luggage Tag w/Slot	2-1/4" x 4-1/4"	5Mil	100/box
#0179	Letter	9" x 11-1/2"	3Mil	100/box
#0182	Letter	9" x 11-1/2"	5Mil	70/box
#0171	Legal	9" x 14-1/2"	3Mil	100/box
#0172	Legal	9" x 14-1/2"	5Mil	70/box

### CARRIERS<sup>^</sup>

#0027	ID Size up to 3" x 4-1/2"	10/pk
#0922	9-1/4" x 14-3/4"	10/pk

<sup>^</sup>Other sizes available. Please contact Customer Service or visit us on the web [www.usi-laminate.com](http://www.usi-laminate.com)

CALL TOLL FREE

# 1-800-282-9290

FOR USI EDUCATION OR GOVERNMENT SALES 1-800-243-4565

TECH ASSISTANCE (800) 752-9131  
24-HOUR FAX (203) 245-8619  
[www.USI-Laminate.com](http://www.USI-Laminate.com)