

# *HD400 & 1200*

HEAVY DUTY POUCH LAMINATORS



CALL TOLL FREE

# 1-800-282-9290

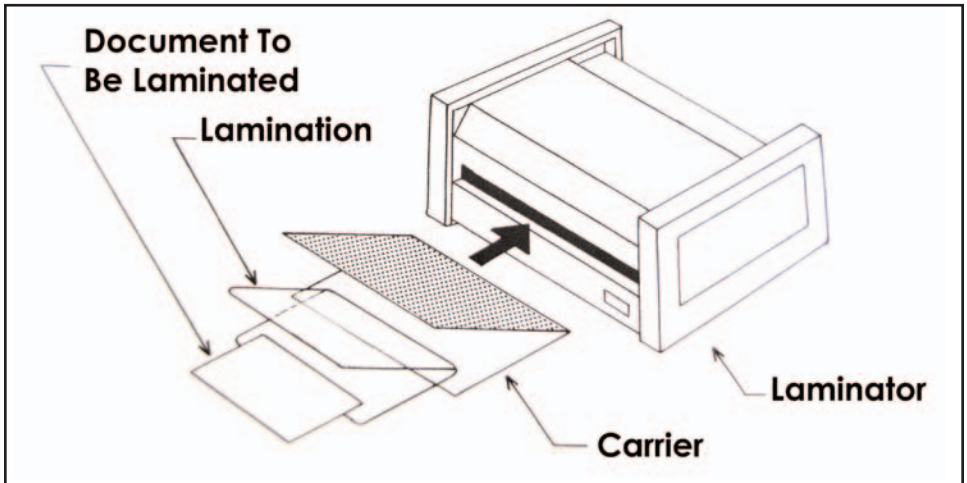
FOR USI EDUCATION OR GOVERNMENT SALES 1-800-243-4565



## TO START

Connect cord to power source noted on bottom of laminator. Depress switch to "on" (at front of laminator). The switch lights up to indicate that power is on. Allow machine to warmup for 5 Minutes.

## TO LAMINATE



1. Insert the document into the center of a laminating pouch.
2. Insert the pouch, containing the document, into a carrier. Carriers are included with your pouch purchase and should always be used when laminating.
3. Insert the folded edge of the carrier into the entrance slot of the laminator.
4. The carrier containing the pouch and document will automatically feed into the laminator and exit the rear.
5. After the carrier cools, remove the laminated pouch. If handled too soon before the adhesive in the film cools and hardens, the finished piece may become distorted.
6. Upon conclusion of laminating, depress switch to "off".

## IMPORTANT SAFEGUARDS - SAVE THESE INSTRUCTIONS!

1. Read all instructions before use.
2. Always unplug the laminator when not in use, or for cleaning.
3. Do not use outdoors.
4. Extreme caution should be taken when the laminator is used near children or invalids.
5. To protect against electrical hazards, do not immerse cord, plug or the laminator in water or any other liquid.
6. Do not operate the laminator with a damaged cord or plug, if the laminator has malfunctioned or has been dropped or damaged in any manner, return the laminator to USI for repair.
7. Do not let the cord hang over the edge of operating surface or touch hot surfaces.
8. Do not use the laminator for anything other than its intended use.

## PRODUCT SPECIFICATIONS

	HD400	HD1200
Opening:	4-1/2"	12-1/2"
Weight:	4 lbs	7 lbs
Width:	7-3/4"	15"
Depth:	6-1/2"	6-1/2"
Height:	4-3/5"	4-3/5"
Amps:	1.3	3
Watts:	153	365
Volts/Cycle:	115VAC/60Hz	115VAC/60Hz
Cord Length:	45"	45"
Max Mil Thickness:	15Mil	15Mil
Warranty*:	1 Year	1 Year

\* from date of purchase.

# WARRANTY

We warrant to the original purchaser the equipment manufactured to be free from defects in material and workmanship under normal use and service. Our obligation under this warranty shall be limited to the repair or exchange of any part or parts which may prove defective under normal use and service within one year from the date of shipment and which our examination shall disclose to our satisfaction to be defective. Warranty does not include damage due to operator error or general maintenance. When necessary, purchaser shall properly pack and return the unit to the nearest USI Service Center, freight and insurance prepaid.

This warranty is in lieu of all other warranties expressed or implied, including the warranties of merchant ability for fitness for use and all other obligations or liabilities on our part, and we neither assume nor authorize any other person to assume for us, any other liability in connection with the sale of this laminating machine or any part thereof which has been subject to accident, negligence, alteration, abuse or misuse. We make no warranty whatsoever in respect to accessories or parts not supplied by us. The term "Original Purchaser," as used in this warranty, shall be deemed to the person or company who first puts the equipment into service. This warranty shall apply only within the boundaries of the Continental United States.

## TO REORDER SUPPLIES, PLEASE CONTACT CUSTOMER SERVICE OR VISIT US ON THE WEB [WWW.USI-LAMINATE.COM](http://WWW.USI-LAMINATE.COM)

### POUCH FILM<sup>^</sup>

#1007	Business Card	2-1/4" x 3-3/4"	5Mil	100/box
#6440	Horizontal Luggage Tag w/Slot	2-1/4" x 4-1/4"	5Mil	100/box
#1012	Vertical Luggage Tag w/Slot	2-1/4" x 4-1/4"	5Mil	100/box
#0179	Letter	9" x 11-1/2"	3Mil	100/box
#0182	Letter	9" x 11-1/2"	5Mil	70/box
#0171	Legal	9" x 14-1/2"	3Mil	100/box
#0172	Legal	9" x 14-1/2"	5Mil	70/box

### CARRIERS<sup>^</sup>

#0027	ID Size up to 3" x 4-1/2"	10/pk
#0922	9-1/4" x 14-3/4"	10/pk

<sup>^</sup>Other sizes available. Please contact Customer Service or visit us on the web [www.usi-laminate.com](http://www.usi-laminate.com)

CALL TOLL FREE

# 1-800-282-9290

FOR USI EDUCATION OR GOVERNMENT SALES 1-800-243-4565

TECH ASSISTANCE (800) 752-9131

24-HOUR FAX (203) 245-8619

[www.USI-Laminate.com](http://www.USI-Laminate.com)