

ARL 1800-2700

ROLL LAMINATOR



O W N E R S M A N U A L

C A L L T O L L F R E E

1-800-282-9290

FOR USI EDUCATION OR GOVERNMENT SALES 1-800-243-4565



IMPORTANT INFORMATION

PLEASE DO NOT DESTROY THE SHIPPING CARTON!

USI urges you to store the original carton in which your laminator was shipped. Should you ever need to return your laminator to our repair and service center, it is best repacked in the original carton to avoid damage during transport. Our special foam filled carton ensures the laminator's safe transit to our service facility. Failure to use original packaging will result in a repacking fee. If you have any service inquiries, please contact USI's Technical Support Hotline, M-F 8am-6pm EST, at 800-752-9131.

Warranty: A Full Two Year Warranty will be issued from date of product shipment. Please supply the model and serial numbers on all correspondence concerning your laminator.

EQUIPMENT WARRANTY

1. Standard Manufacturer Warranty

We warrant to the original purchaser the equipment manufactured to be free from defects in material and workmanship under normal use and service. Our obligation under this warranty shall be limited to the repair or exchange of any part or parts which may prove defective under normal use and service within two years from the date of shipment and which our examination shall disclose to our satisfaction to be defective. Warranty does not include damage due to operator error or general maintenance. When necessary, purchaser shall properly pack and return the unit to the USI Service Center, freight and insurance prepaid.

THIS WARRANTY IS EXPRESSLY IN LIEU OF ALL OTHER WARRANTIES EXPRESSED OR IMPLIED INCLUDING THE WARRANTIES OF MERCHANTABILITY AND FITNESS FOR USE AND OF ALL OTHER OBLIGATIONS OR LIABILITIES ON OUR PART, AND WE NEITHER ASSUME NOR AUTHORIZE ANY OTHER PERSON TO ASSUME FOR US, ANY OTHER LIABILITY IN CONNECTION WITH THE SALE OF THIS LAMINATING MACHINE OR ANY PART THEREOF WHICH HAS BEEN SUBJECT TO ACCIDENT, NEGLIGENCE, ALTERATION, ABUSE OR MISUSE. WE MAKE NO WARRANTY WHATSOEVER IN RESPECT TO ACCESSORIES OR PARTS NOT SUPPLIED BY US. THE TERM "ORIGINAL PURCHASER," AS USED IN THIS WARRANTY, SHALL BE DEEMED TO THE PERSON OR COMPANY WHO FIRST PUTS THE EQUIPMENT INTO SERVICE. THIS WARRANTY SHALL APPLY ONLY WITHIN THE BOUNDARIES OF THE CONTINENTAL UNITED STATES.

2. Enhanced Manufacturer Warranty and Protection Plan

In addition to the Standard Manufacturer Warranty set forth above in Paragraph 1, USI also provides an Enhanced Manufacturer Warranty and Protection Plan to the original purchaser of the equipment for a period of Two (2) years from the date of shipment. The terms of this Enhanced Manufacturer Warranty and Protection Plan (hereinafter referred to as the "Plan") is set forth below:

- a. The Plan provides unlimited email, phone and web-based support from USI Support ("Support") as well as replacement parts, equipment, and return shipping due to normal wear and tear and accidental damage during the Coverage Period, subject to the following limitations:
- b. Customers will be covered for up to three (3) incidents under the Plan per year in a Coverage Period. An "incident" means that a Customer either receives (a) a replacement part and/or equipment from USI * or (b) mail-in, physical service on a Product performed by USI or its agents.
- c. The Plan will cover the following non-consumable parts: timing boards, rollers, switches, user interface components (buttons and dials), power supplies, cables and wire harnesses, motors and mechanical components.
- d. USI shall have the option, at its own discretion, whether to: (1) ship replacement parts to repair the equipment; (2) bring the equipment to USI for servicing and repair, and/or; (3) to provide replacement equipment, and/or (4) to coordinate a repair service at the site where the product is housed.
- e. Exclusions and Limitations. The Plan does not cover the following consumable parts: laminating film. The Plan does not cover damage due to abuse, neglect or misuse, extreme environment, unusual physical or electrical stress or interference, exposure to moisture, flooding, or fire.
- f. Support determines course of action. The decision to issue replacement parts or have Product or parts of Product returned for servicing under this Plan is at Support's discretion. If replacement parts are deemed necessary, Support will coordinate shipment to you. If replacement parts are deemed unnecessary by Support, Customer may purchase a replacement part at cost. For service requiring return of Product or parts of Product, Support will issue a Return Authorization ("RA") Number to Customer. Unauthorized returns will not be accepted under any circumstances. USI will cover shipping both ways, and Support will choose and pay for method of return shipment to Customer. If Customer requests expedited shipping, it will be arranged by USI at an additional fee to be pre-paid by Customer.

g. LIMITATIONS OF LIABILITY. TO THE FULLEST EXTENT PERMITTED BY LAW, NEITHER USI NOR ITS SUPPLIERS SHALL BE RESPONSIBLE OR LIABLE WITH RESPECT TO ANY SUBJECT MATTER OF THIS AGREEMENT OR TERMS OR CONDITIONS RELATED THERETO UNDER ANY CONTRACT, NEGLIGENCE, STRICT LIABILITY OR OTHER THEORY FOR (A) LOSS OR INACCURACY OF DATA OR COST OF PROCUREMENT OF SUBSTITUTE GOODS, SERVICES OR TECHNOLOGY, OR (B) ANY INDIRECT, INCIDENTAL OR CONSEQUENTIAL DAMAGES INCLUDING, BUT NOT LIMITED TO LOSS OF REVENUES AND LOSS OF PROFITS. TO THE MAXIMUM EXTENT PERMITTED BY LAW, USI AGGREGATE CUMULATIVE LIABILITY HEREUNDER SHALL NOT EXCEED THE GREATER OF FIFTY DOLLARS (\$50.00) OR THE AMOUNT PAID BY YOU FOR THE PRODUCT THAT CAUSED SUCH DAMAGE.

SOME COUNTRIES, REGIONS, STATES OR PROVINCES DO NOT ALLOW THE EXCLUSION OR LIMITATION OF REMEDIES OR OF INCIDENTAL, PUNITIVE, OR CONSEQUENTIAL DAMAGES, OR THE APPLICABLE TIME PERIODS, SO THE ABOVE LIMITATIONS OR EXCLUSIONS MAY NOT APPLY. EXCEPT TO THE EXTENT LAWFULLY PERMITTED, THIS LIMITED WARRANTY DOES NOT EXCLUDE, RESTRICT OR MODIFY STATUTORY RIGHTS APPLICABLE TO WHERE THE PRODUCT IS SOLD BUT, RATHER, IS IN ADDITION TO THESE RIGHTS.

h. SEVERABILITY. In the event that any of the provisions of this Contract shall be held by a court or other tribunal of competent jurisdiction to be unenforceable, the remaining portions of this Contract shall remain in full force and effect, provided that in such event the parties agree to negotiate in good faith substitute enforceable provisions which most nearly effect the parties' intent in entering into this Contract.

i. CHOICE OF LAW; JURISDICTION. This Contract shall be governed by and construed in accordance with the laws of the State of Connecticut, U.S.A., without regard to the choice-of-law principles thereof that would result in the application of the laws of a State other than Connecticut. Any dispute between the parties arising under or relating to this Contract shall be subject to the exclusive jurisdiction of the United States District Court for the District of Connecticut, state or the State courts sitting in the Judicial District of Middlesex County, Connecticut. A printed version of these Terms will be admissible in judicial and administrative proceedings based upon or relating to these Terms to the same extent and subject to the same conditions as other business documents and records originally generated and maintained in printed form.

Note: You will be charged for the replacement of any parts which are damaged as a result of improper packaging.

READ ME FIRST!

This manual contains all the information you need to properly unpack, operate and maintain your USI Laminator. Before unpacking your laminator we suggest you read and follow the manual step by step. It contains essential information about each and every facet of your laminator. Pay special attention to the work environment and safety precautions necessary for your laminating unit.

The manual is organized in the following way:

- There are seven major chapters, each covers a different subject heading.
- Each chapter is further broken down into parts.
- Each part contains a detailed discussion, including photographs and figures, covering either an operation or maintenance procedure for your laminator.
- Photographs and figures are numbered on each page for quick reference.
- Please pay special attention to particular notes and caution statements.
- These comments alert you to information we feel essential to operator safety and damage prevention to the laminator.

Copyright Information:

IMPORTANT: This manual is copyright protected by USI, Inc. in accordance with the laws and requirements of the United States Government. Any reproduction of this manual, in part or in full, without the written permission of USI, Inc. constitutes a violation of the U.S. copyright laws and is subject to prosecution.

TABLE OF CONTENTS

Chapter 1 — Preparation

| | | |
|----------|-------------------------------------|------|
| Part I | Laminator Introduction | 4,5 |
| Part II | Work Area | 6 |
| | Electrical Requirements | 6 |
| Part III | Unpacking | 7 |
| Part IV | Loading Film | 8-10 |
| Part V | Heat Settings | 11 |
| Part VI | Tension | 12 |
| Part VII | Reloading A Hot Laminator | 13 |

Chapter 2 — Care And Cleaning

| | | |
|---------|--------------------------------------|----|
| Part I | Cleaning The Heat Shoe | 14 |
| Part II | Cleaning The Rubber Roller | 14 |

Chapter 3 — Common Repair & Accessory Installation

| | | |
|-----------|---|-------|
| Part I | Upper Heat Shoe Removal | 15 |
| Part II | Reinstall The Heat Shoe | 16 |
| Part III | Removing The Rubber Rollers | 17-19 |
| Part IV | Pressure Settings | 20 |
| Part V | Lubrication | 21 |
| Part VI | Cleaning Friction Studs | 22 |
| Part VII | Foot Pedal Control installation | 23 |
| Part VIII | Sprockets | 24 |
| Part XI | Thermal Cut-Out Replacement | 25 |
| Part X | Thermistor Replacement | 26 |

Chapter 4 — Common Examples Of Poor Laminating And Their Causes

| | | |
|--------|----------------------------|-------|
| Part I | Trouble Shooting | 27-28 |
|--------|----------------------------|-------|

Chapter 5 — Diagrams

| | | |
|---------|---|-------|
| Part I | Threading Diagram For 1” Mandrels | 28 |
| Part II | Wiring Diagram | 29-30 |

Chapter 6 — Parts List

| | | |
|--------|----------------------|-------|
| Part I | Parts List | 31-32 |
|--------|----------------------|-------|

Chapter 7 — Laminating Film

| | | |
|--------|--------------------------|----|
| Part I | Specialty Film | 33 |
|--------|--------------------------|----|

SAFETY PRECAUTIONS

WARNING: Please review the following safety precautions before unpacking your new laminator.

- Use care in unpacking and lifting the laminator. Keep laminator level when lifting or moving. Larger models weigh 60 pounds or more.
- Consider work area. A cluttered work space can lead to accidents. The laminator should be placed on a level sturdy surface. Do not attempt to operate the laminator in damp or wet environments. Do not operate electrical devices in the presence of flammable liquids, solvents or in gaseous/explosive atmospheres. Keep work area well lit. Allow sufficient access to front and back of machine. See the manual for additional work space requirements.
- Respect feed rollers. Keep hands away from feed rollers and any other moving parts. Turn drive switch OFF before attempting to clear film wrap-arounds or jams. Use reverse feature to clear film. Do not wear any loose clothing, ties, jewelry, etc., which can be caught by feed rollers and draw any body part into the machine.
- Respect heat shoes. Operating temperatures are hot enough to burn skin. If clearing a film wrap-around or jam on or near heat shoes, first turn the heat switch OFF and allow laminator to cool to room temperature. If your laminator is equipped with a heat shoe guard, do not operate without this guard in place.
- Watch out for cutter blade at rear of laminator. Blade is extremely sharp.
- Do not operate laminator with any panels or guards removed. Panels and guards protect operators from such moving parts as the drive chain and sprockets, roller ends, etc.
- Turn the drive switch OFF before walking away or leaving the laminator unattended.
- Before lifting or moving laminator, turn drive switch OFF, turn heat switch OFF, unplug unit and allow to cool to room temperature. Remove film rolls before lifting or moving machine. Film is easy to rethread, see the section in this manual.
- Keep children away. Make sure visitors are kept well back from an operating laminator.
- Do not abuse electrical cord. Never pull cord to disconnect it from a receptacle. Do not allow cord to contact heat, oil or sharp edges. Do not cut off or otherwise bypass the grounding prong on the plug.
- If an extension cord is necessary be sure it is properly rated and of at least the same wire gauge or smaller as the laminator cord. Capacity of the cord must prevent loss of power and overheating. Before using, inspect extension cord for any damage, including loose or exposed wires, broken fittings, damaged insulation, etc.
- If you service the laminator yourself, call USI's Technical Assistance department (1-800-752-9131) for additional safety recommendations. Use only USI parts for service or replacement. Failure to use USI parts could void manufacturer's warranty. Note: Always turn laminator off and unplug before servicing.
- Use common sense. Be cautious when operating your laminator. Do not operate laminator when you are tired or your reactions are impaired in any way.
- Do not allow anyone to operate the laminator who has not received proper instruction and has not read the safety instructions.

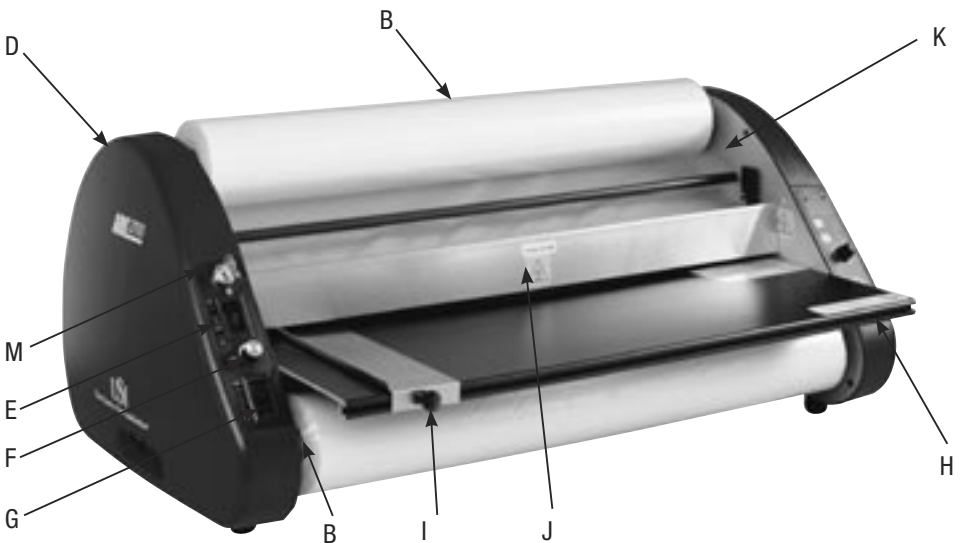
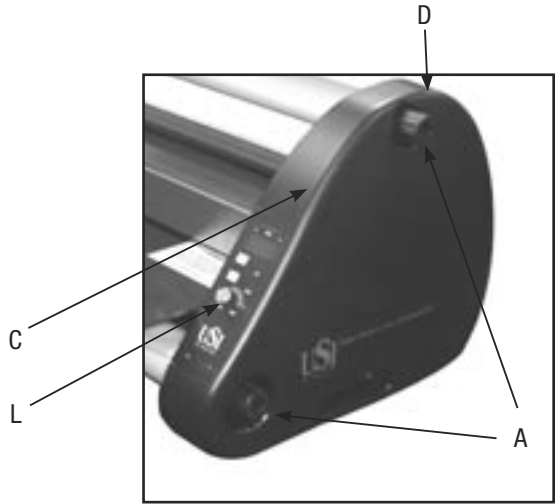
LAMINATOR INTRODUCTION

USI roll laminators are uniquely designed and engineered to be user friendly, reliable and virtually trouble free. USI's modular construction makes them easy to maintain and repair. All equipment controls are basic in design, functional and positioned for easy access.

Digital ARL Series

Feature Location:

- A Tension Adjusting Knobs
- B Color Coded Supply Mandrel (holds film)
- C Digital Display
- D Side Housing
- E Heater Switch
- F Speed Control Knob
- G Motor Drive Switch
- H Feed Tray
- I Paper Guide
- J Heat Guard
- K Heat Shoes (Behind Heat Guard)
- L Digital Heat Control
- M Keylock (Engages/Disables Motor)



FIND A WORK AREA

A separate work station is required to house your USI laminator. Ample room is necessary to access the laminator from all 4 sides. If the laminator is back against a wall, the laminating film may back up and jam the equipment. A USI laminator cabinet is an excellent choice for a work area. It can easily be moved and provide sufficient storage for film in the cabinet below.

WARNING: Do not place the laminator where the heat shoes will be in the direct path of a room cooling fan, air conditioner or similar forced draft.

Tools necessary to set up your laminator include cutting shears and any adhesive tape. For future service or maintenance, an assortment of Allen wrenches, a flat head screwdriver and a Phillips head screwdriver are necessary.

ELECTRICAL REQUIREMENTS

All USI laminators are powered by a standard 120 VAC, three prong outlet.

ELECTRICAL SPECIFICATIONS

| | |
|--------------------|---------------------|
| Digital ARL18..... | 14 amp / 1700 watts |
| Digital ARL27..... | 15 amp / 1540 watts |

UNPACKING YOUR LAMINATOR

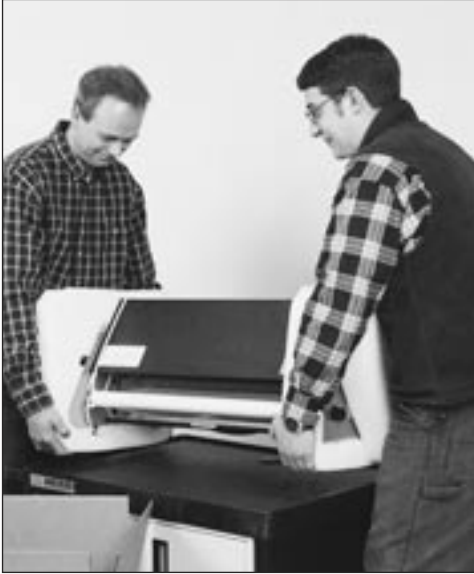


Photo 7-1

Your laminator comes packed in one carton. It contains (1) laminator, (1) heat guard, (1) top supply mandrel, (1) bottom supply mandrel, (1) threading board, (1) feed table with guide, (1) set of keys if equipped with a key lock, and this operation and maintenance manual. (See diagram page 5)

First, open the box. Using two people, carefully lift the laminator from the carton by grasping the side housings and lifting. Do not lift by the upper idler bar or supply mandrel. These are not weight bearing parts and can cause damage to the machine.

For shipping purposes, white plastic tie straps are used to hold the power cord, heat shoes, and accessories in place. These straps are approximately 1/8" wide and should be carefully cut and removed prior to set up.

Be sure to save the shipping carton. . . Should your laminator ever need to be returned for service, this carton ensures safe transit.

You new laminator comes pre-loaded and ready to run. Install the feed table and heat guard as shown on page 12. Plug the machine in and turn the heat switch to the "on" position and allow to heat for approximately 15 minutes.

After 15 minutes of heating time, set the Motor Drive Switch to the "Forward" position and allow the Rubber Rollers to rotate 1/2 turn. Set the Motor Drive Switch to the "Off" position and allow the machine to heat an additional 15 minutes before use. Check the heat setting and adjust if necessary as shown on page 11.



Photo 7-2

LOADING FILM

COLOR-CODED LAMINATORS & FILM:

(For more information on this revolutionary system see the back cover)

Select the two rolls of laminating film that you wish to use. Both rolls of film should be of the same size, type and thickness. Next, take the bottom supply mandrel (marked with the blue Color-Code) and insert it into the roll of film so the blue end of the mandrel matches the blue end of the film roll. While inserting the mandrel, rotate it in the opposite direction of which the "gripper dog" points while pressing into the roll of film and center on the mandrel. Place the loaded mandrel on the machine by matching the blue end with the blue friction stud. To load the top, do the same as the lower, only match the red ends.

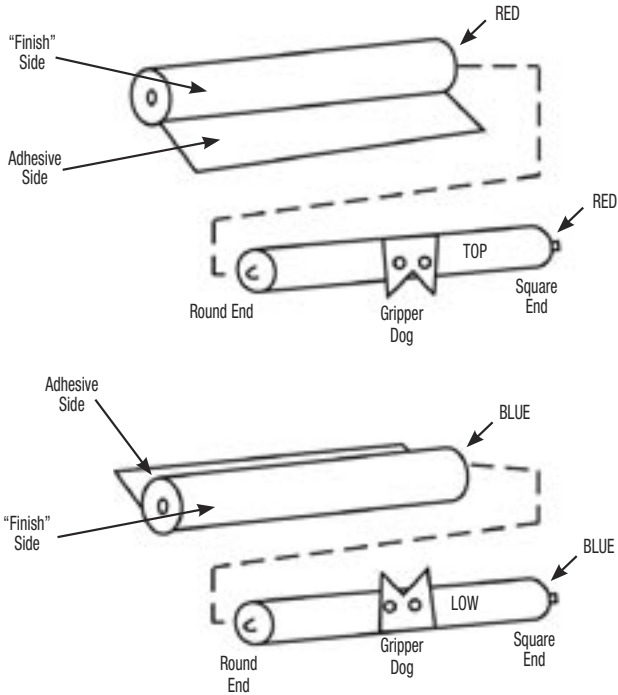


Figure 8-1

FOR NON-COLOR-CODED LAMINATORS & FILM:

Select the two rolls of laminating film that you wish to use. Both rolls of film should be of the same size, type and thickness. Next, take the bottom supply mandrel (labeled "Low") and insert it into the roll of film until the "gripper dog" meets the film's cardboard core (photo 9-1). Rotate the mandrel in the opposite direction from which the "gripper dog" points. As you rotate, apply pressure to force the mandrel into the roll of film and proceed to center it on the mandrel. See Figure 8-1.

Place the loaded mandrel on the laminator. Insert the right side first and then lower the left side into the roll bracket. Take the top supply mandrel (labeled "Top"), insert it into the roll of laminating film, and place it in the top position as with the lower (process shown in photos 9-1, 9-2).

Note: 1" core laminating film is rolled adhesive side in ("poly in"). When loading film on mandrel, be sure roll is positioned correctly to unroll as shown in figure 8-1. If the roll is loaded in reverse, the film could adhere to the laminator when heated.

Note: When loading your laminating film, check for film splices. These rolls will be clearly marked. Splices are not common, but are unavoidable. If you find a spliced roll, place it in the top position on the laminator so that the splice can be monitored carefully. When the splice is ready to come through the laminator, turn the drive and heat off, allow the machine to cool, and rotate the roll of film by hand so the film tension is very loose. Turn the drive switch on again and allow the splice to run through. If necessary, keep turning the roll of film by hand to keep it slack until the splice has passed through.

Caution: Do not apply excessive force to the ends of the mandrel (i.e. with a hammer, etc.). Excessive force will damage the mandrel. When loading the laminator, be sure the heat is turned off and the machine is cool to avoid chance of burns.

Note: Film rolls must be centered on supply mandrels. If the rolls are not aligned, hot adhesive will be deposited on the heatshoes and rubber rollers, necessitating a cleaning operation.

Caution: When loading the laminator for the first time, be sure that the heat is turned off and the machine is cool.



Photo 9-1



Photo 9-2



Photo 9-3

THREADING DIAGRAM

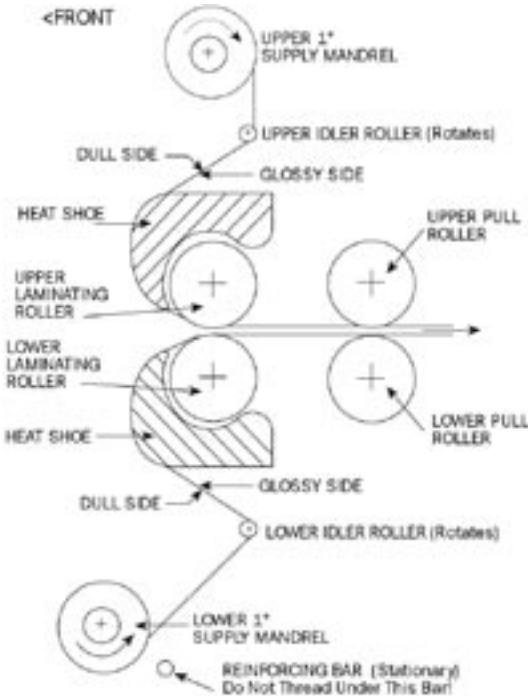


Figure 9-4

Thread the top roll of film under the idler roller as shown in the threading diagram on previous page (see Figure 9-4). Pull the film down so that the film's lead edge is below the lower heat shoe. Next thread the bottom roll of film under the lower idler bar pulling film upward until it is even with the top heat shoe (the film will overlap). Tape it to the top film edge. This creates a film "Web" (Photo 10-1 & 10-2).

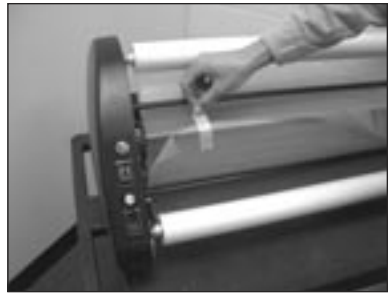


Photo 10-1

Using Tension Adjustment knobs, loosen tension on both rolls of laminating film. Turn the speed control knob to a slow speed. Turn on the "Drive" switch and using the threading board—push the film web into the laminating rollers. This process will push the web into the pull rollers and exit. Ensure that the threading board and film exit between the rear pull rollers (Photo 10-3 & 10-4).



Photo 10-2: Creating Film Web

NOTE: If you lose your threading board or if it becomes damaged, you can make your own with a piece of poster board. Cut poster board 12" wide by the length of the laminator (18" or 27").

Your laminator is now loaded and ready to be heated. Remove the threading board and save for your next use.



Photo 10-3: Threading board and film web entering.



Photo 10-4: Threading board and film web exiting pull rollers.

HEAT SETTINGS

Turn the heat on by depressing the main heat power switch on the left side panel. The red indicator light will illuminate and remain lit while the heat switch is in the on position.

The display board on the right side panel will now illuminate and show the current set temperature. To set the temperature, rotate the control knob located below the display (Photo 11-2). The new temperature will be displayed immediately. The heat indicator lamp will be illuminated while the machine is heating, and will turn off when set temperature is reached. To see the laminator's actual running temperature, depress the ACT button on the display board.

Prior to laminating, allow the machine to pre-heat at least 15 minutes in order to stabilize the temperature. Temperature settings depend on the film type being used. The temperature is preset at the factory, but may require adjustment depending on what type of film you are using.

Note: When setting the heat to a temperature below 200°F, first rotate the heat control knob fully clockwise and then proceed to set to desired temperature.

The display can easily be toggled between Fahrenheit and Centigrade by depressing the C/F button.



Photo 11-1



Photo 11-2

| TYPE | HEAT RANGE |
|------------|------------|
| Standard | 260-290°F |
| Opti Clear | 210-245°F |
| Photo Plus | 220-250°F |
| DigiSeal | 180-220°F |

TENSION

To adjust tension for upper and lower rollers, the laminator must be loaded and heated.

Remove the heat guard and feed tray. Loosen both tension control knobs by turning counterclockwise until there is no tension on upper or lower film rolls. Photos 13-1, 13-2.

Film should pull freely.

Turn the drive switch "On" and set to a slow speed

As film runs through it will appear wrinkled and bubbly, as pictured in photo 13-3.

Gradually increase tension on both rolls, by turning knobs clockwise, until film is smooth on heat shoes. Once film is smooth, stop tightening knobs.

NOTE: For best results, reset tension with EACH new pair of film rolls.

NOTE: As the film roll supply becomes low it is necessary to decrease tension on the rolls.

NOTE: Too little tension on the top or bottom roll causes vertical or diagonal streaks in the film as it passes over the heating shoe.

WARNING: Excessive tension will lead to increased wear and tear on the laminator.

Once the laminator is loaded, heated, tension adjusted—install the Feed Tray and Heat Guard, as shown below in Photos 13-4 and 13-5.



Photo 13-1



Photo 13-2

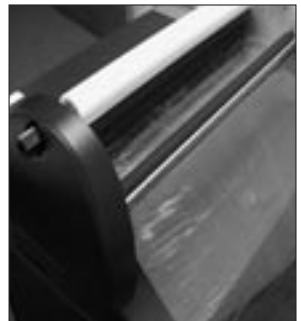


Photo 13-3



Feed Tray Photo 13-4



Heat Shoe Guard Photo 13-5

RELOADING A NEW ROLL OF FILM ON A HOT LAMINATOR

Allow the old film to run to a point just before it pulls off the cardboard cores.
Turn the drive switch to "OFF."

Cut the film web with a blade so that approximately 5" of film extends beyond the idler bar. Photo 14-1.

CAUTION: When using a sharp object to cut film (blade or shears), avoid contact with heat shoes or rubber rollers.



Photo 14-1

Remove the old cardboard cores and replace with new rolls of film. Photo 14-2.

Loosen the tension on the top film roll.
Thread the new web of film around the idler bar and tape it to the remaining segment of the expended roll.
Photo 14-3.

Repeat this procedure for the bottom film roll. Use caution when threading film near hot heat shoe .

Run film through the laminator until the new web of film clears the pull rollers.
Photo 14-4.

Readjust tension.



Photo 14-2



Photo 14-3

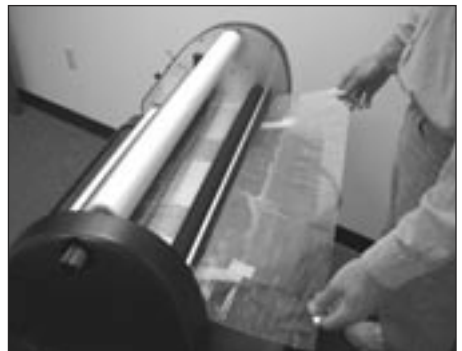


Photo 14-4

CLEANING THE HEAT SHOES



Photo 15-1

With continuous use the heat shoes and rubber rollers may accumulate adhesive and dirt. It is recommended that you periodically inspect them for adhesive build-up. Use USI's Laminator Cleaning Kit, which contains cleaning fluid, a coarse scrubbing pad and a mesh covered sponge, for removal of any adhesive build up.

Moisten the sponge pad with poly-off cleaning fluid and wipe down the heat shoes.

NOTE: *Be sure to clean the heat shoes only when the laminator is cool.*

CAUTION: Teflon coated heat shoes are scratchable.



Photo 15-2

CLEANING THE RUBBER ROLLERS



Photo 15-3

If indentations begin to appear on the surface of finished laminations, this may indicate that cleaning of the rollers is necessary.

Periodically inspect the rubber laminating and pull rollers for adhesive build-up.

Remove the upper heat shoe to gain access to the laminating rollers for cleaning.

Before cleaning be sure the laminator is cool.

Use a dry Scotch Brite[®] pad to remove excess adhesive from the rollers. Photo 15-3.

Turn the drive switch on and off to advance the rollers and clean each section at a time.

Wipe clean with the sponge pad and cleaning solution from USI's Laminator Cleaning Kit.

NOTE: *Use cleaning solution sparingly. Do not allow to "run" onto wiring or into "ends" of laminator.*

WARNING: Do not use any sharp metallic objects or steel wool to clean the rubber rollers. Use of such abrasive objects can damage the rubber surface of the rollers. USI strongly recommends the Laminator Cleaning Kit for all of your cleaning needs.

UPPER HEAT SHOE REMOVAL INSTRUCTIONS

1. Unplug laminator and allow it to cool to room temperature.
2. Remove the right side housing (Figure 16-3) by unscrewing four Allen head screws.
3. Unscrew wiring retainer. Note its orientation and location of wires for reassembly.
It is very important that wires are routed correctly or damage to machine may occur.
The location of wiring retainer should be marked by removal.
4. Unplug upper heat shoe wires (#2 in Figure 16-4) from the terminal block (#3 in Figure 16-4).
5. Gently lift the heat shoe and pull forward, being careful not to damage the wires.
Lift from the left first.



Figure 16-3

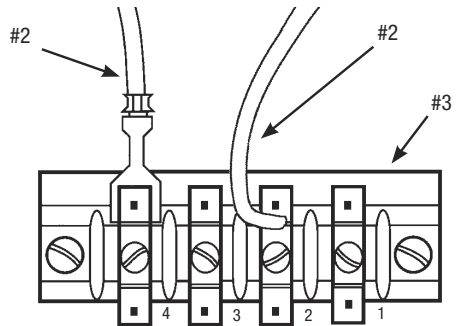


Figure 16-4

TO REINSTALL THE HEAT SHOE

1. Be sure laminator is unplugged.
2. Guide heat shoe wires exiting from the right end of the heat shoe through the slot in the right side of frame.
3. Lower the right end of the heat shoe onto its bracket first, then lower the left end and lock in place.
4. Plug the heat shoe wires into the terminal block.
5. Re-mount the wiring retainer. Be sure it is in its proper location and the correct wires are retained.
6. Check to make sure that no components are loose and in the path of the drive chain or sprockets.
7. Carefully install the right side housing and four Allen head screws.

REMOVING THE RUBBER ROLLERS

NOTE: Only remove rollers if they are cut or in poor condition.

NOTE: The following procedure removes all 4 rollers. In certain instances, it is not necessary to remove all 4 rollers, therefore, remove as required.

STEP 1:

Remove all film from laminator. Photo 18-1.

STEP 2:

Unplug laminator. Make sure it is cool.

STEP 3:

Remove the side housing on both sides of the laminator.

STEP 4:

Remove the top heat shoe. Photo 18-2.
Refer to diagram and instructions on page 16.

STEP 5:

Unfasten and remove the pressure adjusting screws on both sides of the laminator. Photos 18-3, 18-4.



Photo 18-1



Photo 18-2



Photo 18-3



Photo 18-4



Photo 18-5

STEP 6:

Loosen the Allen head set screws on the left and right ends of the top rubber rollers. Photo 18-5.

STEP 7:

To remove the upper roller, slide the roll shaft out of the roller and then lift the top rubber rollers from the laminator (top laminating roller shown). Photos 19-1 and 19-2



Photo 19-1

STEP 8:

Loosen the set screws of the lower roller sprockets (laminating roller shown) Photo 19-3.



Photo 19-2



Photo 19-3

STEP 9:

Loosen the Allen head set screws on the left and right ends of the lower rubber rollers. (Lower laminating roller shown.) Photo 19-4.



Photo 19-4



Photo 19-5

STEP 10:

Slide the roll shaft out of the rubber roller and the roll sprocket. (laminating roller shown.) Photo 19-5.

NOTE: *The chain can now be removed without loosening the motor mounting screws. Photo 20-1.(next page)*

STEP 11:

To install a new roller or replace the original roller, reverse the removal procedure. Be sure to properly reposition the sprockets and align the chain. All three sprockets should be in line with each other. Since the motor sprocket was not removed, use it as a guide for alignment of the pull roll and laminating roll sprockets.

NOTE: See page 24 for additional information on a sprocket alignment & tightening.

- The pull rollers on this laminator are interchangeable with the laminating rollers. If the laminating rollers have minor damage, each can be replaced by pull rollers. If the laminating rollers are too badly damaged, they must be replaced. The condition of the laminating rollers is very important for a good lamination.
- If the chain feels too loose, it may be tightened as follows:
Loosen the motor mounting screws. Push down on the motor sprocket and refasten the motor mounting screws.
Photo 20-2.

NOTE: Be sure to adjust the pressure on both pressure adjusting screws. 2-3 threads should show through the adjusting screw mounting bracket. See page 21.



Photo 20-1



Photo 20-2

PRESSURE

The pressure settings for the rubber rollers on USI Laminators are preset at the factory and should not require adjusting. In most cases, it is necessary to adjust pressure after the rollers have been removed for service. (Generally this is the only time an adjustment is required.)

If an adjustment is necessary, disconnect electrical power and remove both the left and right housings.

Locate the Slotted Screw holding Compression Spring. Slotted Screw and Compression Spring locations are identical on both sides of the laminator. Photo 21-2.

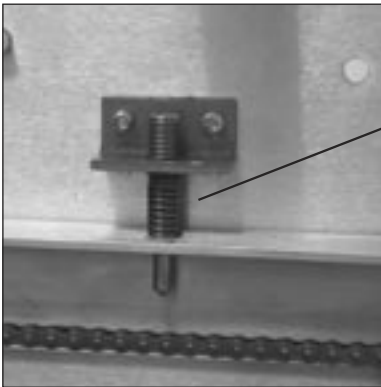


Photo 21-2

To increase pressure, turn the flat head screw clockwise. There should be 2-3 threads of the screw showing through the bottom of the bracket. Photo 21-3.

WARNING: It is extremely important that pressure adjustments are always made exactly the same on both sides of the laminator in order to maintain even pressure.



Photo 21-3

LAMINATOR LUBRICATION

Oil the drive chain once every six months with a light weight oil.

To avoid binding of the laminating and pull rollers, periodically oil the black plastic bushings. Bushings are located at the end of each roller. To gain access remove side housings. See important information under “Removing Upper Heat Shoe” pg 16.



Photo 22-1

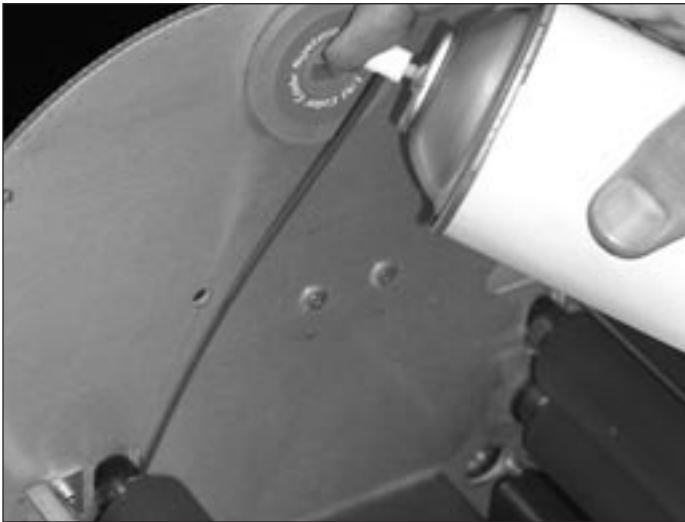


Photo 22-2

NOTE: Any type of light oil (i.e. WD40) can be used for the above purposes. Use sparingly.

CLEANING FRICTION STUDS

If film rolls begin to shudder or squeak, cleaning of tension assembly is required.

STEP 1:

Remove the film rolls.

STEP 2:

Remove the right side housing.

STEP 3:

Disassemble the friction stud by unfastening and removing the knob. Photo 23-1.



Photo 23-1

STEP 4:

Remove the spring, metal washer, leather washer and the friction stud. Photo 23-2.



Photo 23-2

STEP 5:

To clean, wipe the mounting hole free of excess debris. Use rubbing alcohol. Photo 23-3.



Photo 23-3

STEP 6:

Clean the friction stud groove and leather washer. Use the Scotch Brite[®] pad from the Cleaning Kit.

STEP 7:

To reassemble, reverse the procedure as noted above. Reset the tension as on page 12.

FOOT PEDAL CONTROL

Foot pedal keeps both hands free to better control substrate and for continuous feeding. Customer installed, it plugs into jack provided.

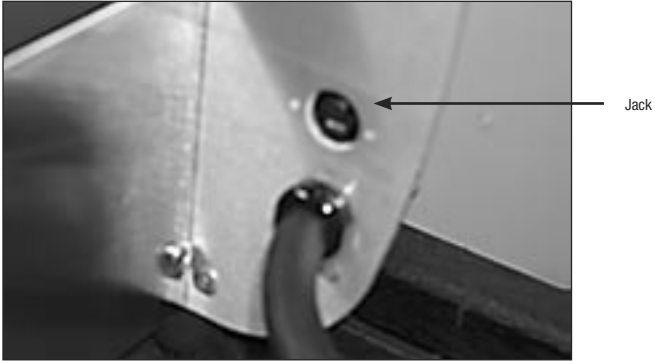


Photo 24-1

To Install:

- a) Plug foot pedal into jack located on left rear corner by the power cord. Photo 24-1.
- b) Turn drive switch "ON". (Now control forward drive with the foot pedal.)

NOTE: *The drive switch must be "ON" for foot pedal to work.*

NOTE: *If your laminator is equipped with automatic reverse, the laminator can only be reversed with the drive switch. The foot pedal will not reverse feed rollers.*

TIGHTENING SPROCKETS

STEP 1:

Remove the right side housing. Locate loose sprocket. Each sprocket has a 3/32" Allen set screw located along the outer edge. If the set screw loosens, it will allow the sprocket to spin on the roll shaft, causing the rollers to slip.

STEP 2:

Align the set screw with the flat spot on the roll shaft. This can be accomplished by either turning the drive on and off or by using the manual crank (if equipped). Each shaft has a flat spot, causing the shaft to be D shaped. The sprocket set screw must be lined up on top of the flat spot.

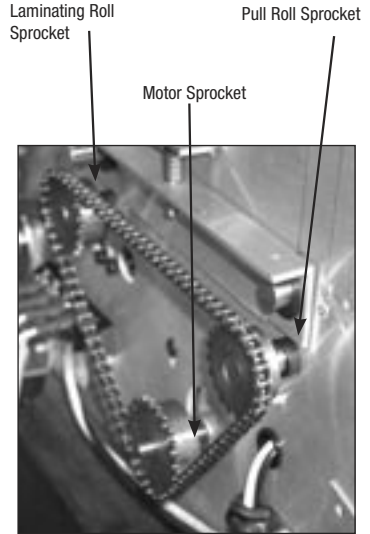


Photo 25-1

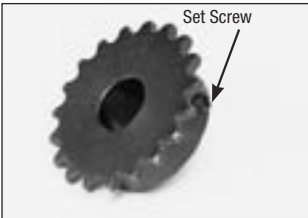


Photo 25-2

Lower laminating roll shaft.



Photo 25-3

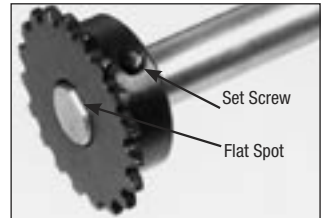


Photo 25-4

STEP 3:

Using a 3/32" Allen wrench, remove the set screw. Clean the set screw and apply a drop of Loctite® or similar compound to the threads. Insert set screw, but do not tighten. Align the teeth of the sprocket with the teeth (or outer-face) of the other two sprockets (the drive chain must travel in a straight line). Tighten the set screw.

STEP 4:

Reinstall the right side housing.

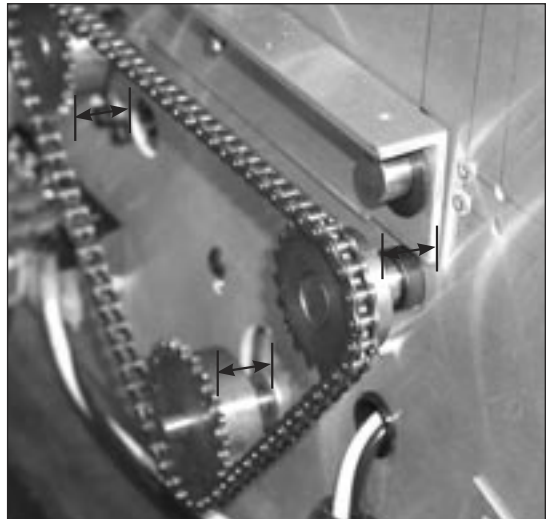


Photo 25-6

THERMAL CUT-OUT REPLACEMENT

1. Unplug laminator.
2. Loosen and remove four Allen head screws retaining both side housings; remove the side housings.
3. Unplug both thermal cut-out leads on the left end of the lower heatshoe. See diagram on page 29.
4. While supporting the lower heatshoe, loosen and remove the two heatshoe mounting screws and spacers from the left end of the heatshoe.
5. Continue supporting the lower heatshoe and loosen and remove the two shoulder screws from the right end of the heatshoe.
6. Gently rotate the lower heatshoe forward being careful not to disturb the wiring on the right end of the heatshoe.
7. Loosen but do not remove the hex screw on the back of the lower heatshoe retaining the thermal cut-out; pull the thermal cut-out out of the heatshoe.
8. If the new thermal cut-out is not formed to the same shape as the old one, gently form a loop in it to match the old one.
9. Insert the new thermal cut-out into the lower heatshoe and hook it on the hex screw. CAUTION: Do Not pinch the thermal cut-out under the hex screw; doing so will cause an electrical short. Be certain the thermal cut-out is hooked over the hex screw.
10. Gently reposition the lower heatshoe on the machine and guide the thermal cut-out wires through the hole in the left side frame. Pay special attention to the wiring on the right end.
11. Replace and tighten the two shoulder screws on the right end of the heatshoe. Replace and tighten the two mounting screws and spacers on the left end of the heatshoe.
12. Plug the thermal cut-out wires into the appropriate terminals. The thermal cut-out must be plugged into the correct terminals to work properly. See diagram on page 29.
13. Replace both side housings and secure each with four Allen head screws.

THERMISTOR REPLACEMENT

To be performed by competent service technician.

1. Unplug laminator.
2. Remove the four Allen head screws retaining the left side housing. Gently pull left side housing away from left side frame and set aside.
3. Remove the four Allen head screws retaining the right side housing. Gently pull right side housing away from right side frame.
4. Mark location of metal/rubber wiring harness retainer. Loosen and remove wiring harness retainer screw. Remove wiring harness retainer from wiring. **NOTE:** *To keep wires away from moving parts, the wiring harness must be put back in its proper location-it must be marked before removal.*
5. Trace the two heater wires from the lower heatshoe to the terminal block. Mark their locations, then unplug them from the terminal block. Unplug the black thermistor cable from the digital temperature control board. If there are any wire ties securing the lower heatshoe/thermistor wiring to any other wiring, mark their locations and carefully cut them and remove them. Trace the two thermal cut-out wires on the left end of the lower heatshoe to the terminal block. Mark their location, then unplug them.
6. Loosen and remove the two Allen head cap screws retaining the LEFT end of the heatshoe. Be sure to support the heatshoe.
7. Loosen and remove the two Allen head cap screws retaining the RIGHT end of the heatshoe. Be sure to support the heatshoe. Gently remove the heatshoe guiding the wiring out of the holes in the side frame. Carefully cut the black shrink tubing covering the heatshoe wires and thermistor cable.
8. Locate the thermistor retaining/cover plate located on the rear of the heatshoe. **NOTE:** *That slightly off-center is a recessed Allen screw.* Do not remove this screw, but mark its location so that the thermistor retaining/cover plate will be oriented correctly upon installation. Loosen and remove the two hex screws located at the ends of the thermistor retaining/cover plate. Remove thermistor retaining/cover plate. Note orientation of thermistor. The new thermistor must be mounted in exactly the same location. Proceed to gently pull the thermistor out of its mounting hole and pull out of heatshoe. Clean out mounting hole.

To install the new thermistor, reverse the above procedure.

NOTE: *A small amount of thermally conductive grease needs to be applied to end of the new thermistor before installation.*

NOTE: *Be certain that the new thermistor and the thermistor retaining/cover plate are oriented correctly.*

NOTE: *An appropriately size piece of shrink tubing should be applied over the heater wires and thermistor cable for protection.*

NOTE: *Be certain to guide the heater wires/thermistor cable through the hole in the side frame oriented towards the front of the laminator.*

NOTE: *Be certain that the wiring harness retainer is oriented correctly to keep the wiring from rubbing on any moving parts.*

NOTE: *Be certain to replace any wire ties that were cut and removed during the removal process.*

TROUBLE SHOOTING

COMMON EXAMPLES OF POOR LAMINATING . . . and their causes.

A. FILM NOT BONDING TO SUBJECT OR TO ITSELF AT SEALED EDGES

Causes:

1. The heat is set too low.
2. Film tension is too tight.
3. Bottom roll of film is threaded incorrectly.
4. The pressure setting is not correct.

B. WRINKLES OR IRREGULAR WAVES RUNNING ACROSS THE LAMINATED WEB (PERPENDICULAR TO THE EDGE)

Causes:

1. The heat set is too high.
2. Not enough tension on the supply mandrels. (Large, irregular waves).
3. Too much tension on the supply mandrels. (Small, fine wrinkles - "orange peel" effect).
4. The rubber laminating rollers are not clean.
5. The pressure adjustment for the laminating and pull rollers is out of adjustment.
6. Speed is too fast.

C. STRETCH LINES RUNNING WITH WEB (PARALLEL TO THE EDGE)

Causes:

1. Too much tension on the supply mandrels.
2. The heat is set too high.
3. The heating shoes or rollers are not clean.

D. BLISTERS ON SURFACE OF SUBJECT OR ALONG EDGE OF SUBJECT

Causes:

1. The heat is set too high.
2. Excessive moisture in the paper being laminated. (If inks are not dry, this may also cause blisters).
3. The rubber laminating rollers are not clean, or are damaged.

E. CURLING OF THE FINISHED LAMINATION

Causes:

1. Unbalanced tension on the supply rolls. Too much tension on the top supply roll will cause the web to curl up. Too much tension on the bottom roll will cause a downward curl in the web.
2. Bottom roll of film has been threaded incorrectly.

F. WRINKLING AROUND EDGE OF LAMINATED ITEM

Causes:

1. Item to be laminated is too thick.
Possible Solutions:
 - a. Loosen tension
 - b. Use film with thicker adhesive layer
 - c. Flush cut item

TROUBLE SHOOTING

COMMON EXAMPLES OF POOR LAMINATING

. . . and their causes. (continued)

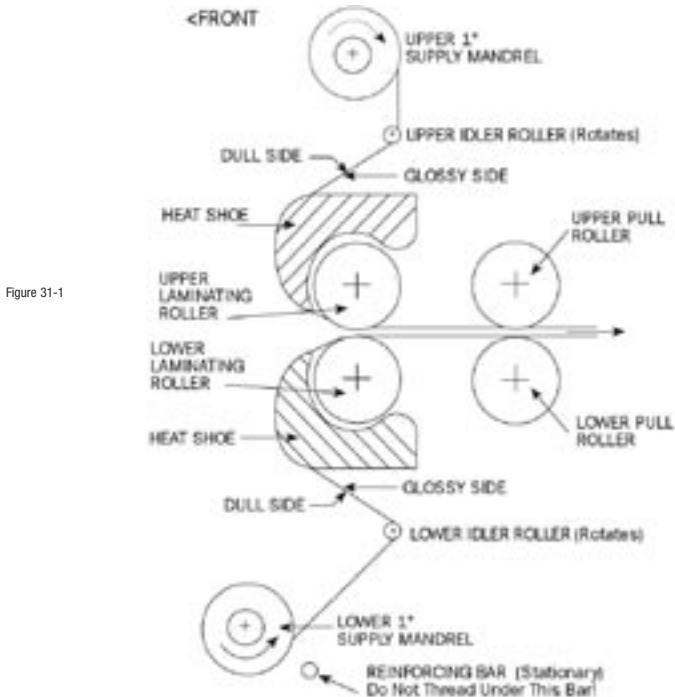
- G. HEAT DOES NOT WORK AND RED INDICATOR LIGHT DOES NOT ILLUMINATE
 1. Check wiring of the laminator. Refer to wiring diagram on page 28.
 2. Replace heat switch and switch wires. NOTE: Switch should not be replaced without also replacing switch wires.
 3. Auto Shut Off Timer (AST-if equipped) has "timed out." Press Drive Switch on and off, or unplug and plug in laminator power cord to reset timer.

- H. BOTTOM RUBBER ROLLERS TURN BUT TOP RUBBER ROLLERS DO NOT
 1. The tension is too tight.
 2. Film has not been threaded correctly.
 3. Film was loaded backwards. (adhesive against heaters)

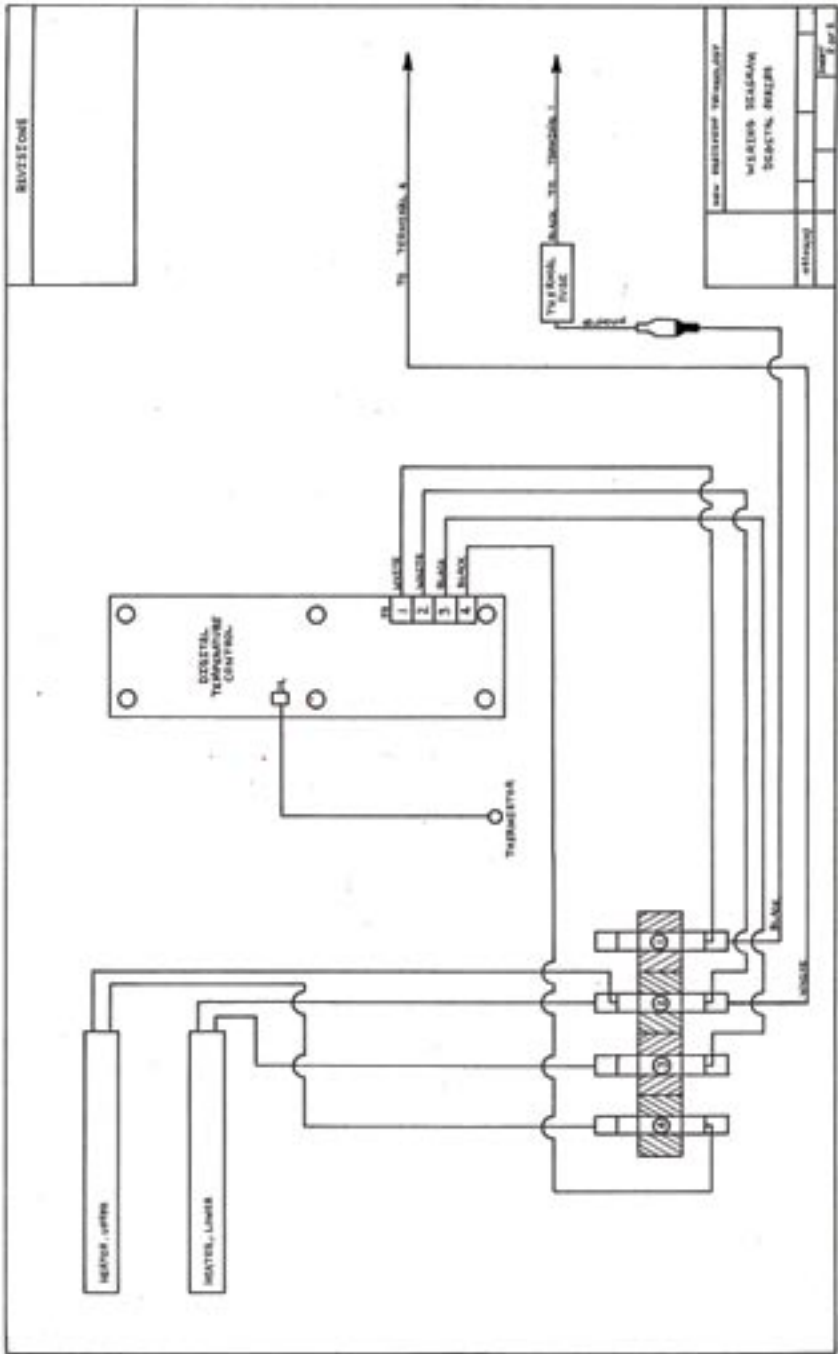
- I. BOTTOM ROLLERS DO NOT TURN (BOTH OR INDIVIDUAL)
 1. Be sure drive chain has not fallen off.
 2. Be sure sprocket set screws are securely fastened.
 3. Be sure roller set screws are securely fastened.

- J. DRIVE DOES NOT WORK - ROLLERS DO NOT WORK AND NO MOTOR SOUND
 1. Check drive switch and wiring. Refer to wiring diagram on page 28.
 2. Rotate speed knob clockwise.
 - If knob is turned down all the way counter-clockwise, drive may not work.

THREADING DIAGRAM FOR 1" MANDRELS



DIGITAL ARL WIRING DIAGRAM PART 2



PARTS LIST

| <u>Part #</u> | <u>Component Description</u> | <u>Per Machine</u> |
|--------------------|---|--------------------|
| LEFT ZONE | | |
| A4536 | MOTOR CONTROL BRACKET | 2 |
| A6101 | MOTOR CONTROL BOARD (N020) | 1 |
| A5096 | JONES SOCKET (N029) | 1 |
| A5510 | HEAT SWITCH LIGHTED 2002 | 1 |
| A5511 | DRIVE SWITCH 2002 | 1 |
| A5533 | KEY LOCK SWITCH | 1 |
| A5846 | SPEED CONTROL KNOB (N021) | 1 |
| A5847 | TERMINAL BLOCK NUMBERED W/JUMPER | 1 |
| A9800 | AUTO SHUT-OFF TIMER | 1 |
| A4500 | FUSE - FUSE HOLDER | 1 |
| A4504 | STRAIN RELIEF BUSHING (805B) | 1 |
| A9906 | POWER CORD (806P) | 1 |
| A5928 | DIGITAL LEFT SWITCH PANEL LABEL 2002 | 1 |
| A5549 | LEFT SIDE PLATE COMPLETE 2002 | 1 |
| A9927 | DIGITAL BLUE LEFT SIDE HOUSING 2002 | 1 |
| CENTER ZONE | | |
| A3882 | PRESSURE ADJUSTMENT SPRING (402P) | 2 |
| A3883 | PRESSURE ADJUSTMENT SCREW (403B) | 2 |
| A3884 | UPPER ROLLER BUSHING (404B) | 4 |
| A3885 | LOWER ROLLER BUSHING (405B) | 4 |
| A4620 | 18 LOWER HEATSHOE SPACER (506P) | 2 |
| A3888 | 27 LOWER HEAT SHOE SPACER (506P) | 2 |
| A4666 | 18 RUBBER ROLLER & TUBING (100C) | 4 |
| A3905 | 27 RUBBER ROLLER & TUBING (100C) | 4 |
| A4659 | 18 UPPER ROLLER SHAFT (101B) | 2 |
| A3908 | 27 UPPER ROLLER SHAFT (101B) | 2 |
| A4660 | 18 LOWER ROLLER SHAFT (102B) | 2 |
| A3909 | 27 LOWER ROLLER SHAFT (102B) | 2 |
| A4786 | EXTERNAL SELF-LOCKING RETAINING RING 1/2" | 4 |
| A4658 | 18 IDLER ROLLER (013B) | 2 |
| A3907 | 27 IDLER ROLLER (013B) | 2 |
| A4543 | NYLON IDLER WASHER | 4 |
| A4552 | IDLER ROLLER DOWEL PIN (014A) | 4 |
| A4577 | 18 UPPER MANDREL COMPLETE (907B) | 1 |
| A3920 | 27 UPPER MANDREL COMPLETE (907B) | 1 |
| A4578 | 18 LOWER MANDREL COMPLETE (907B) | 1 |
| A3921 | 27 LOWER MANDREL COMPLETE (907B) | 1 |
| A4665 | 18 FEED TABLE ONLY (700C) | 1 |
| A4593 | 27 FEED TABLE ONLY (700C) | 1 |
| A3899 | LEFT FEED GUIDE (701C) | 1 |
| A4674 | 10-32 X 1/2 MACHINE SCREW FEED GUIDE | 1 |
| A4675 | #10 SPLIT LOCK WASHER FEED GUIDE | 1 |
| A4687 | FEED GUIDE KNOB | 1 |
| A4777 | 18 UPPER HEATSHOE, BARE (515C) | 1 |
| A4772 | 27 UPPER HEATSHOE, BARE (515C) | 1 |
| A4769 | 18 LOWER HEATSHOE, BARE (516C) | 1 |
| A4745 | 27 DIGITAL LOWER HEATSHOE, BARE (516C) | 1 |
| A5661 | 18 PLASTIC DEFLECTOR 2002 | 1 |
| A4940 | 27 PLASTIC DEFLECTOR 2002 | 1 |
| A5616 | 18 MOTOR HOUSING COVER PLATE 2002 | 1 |
| A5516 | 27 MOTOR HOUSING COVER PLATE 2002 | 1 |
| A4664 | 18 MOTOR HOUSING (702C) | 1 |
| A5935 | 27 MOTOR HOUSING (702C) | 1 |
| A5845 | WIRE PROTECTIVE BUSHING (19F) | 2 |
| A5880 | PRESSURE ADJUSTMENT PLATE 2002 | 2 |
| A5926 | SWITCH PLATE SET BLACK 2002 | 1 |
| A4662 | 18 HEATGUARD (512B) | 1 |
| A3937 | 27 HEATGUARD (512B) | 1 |
| A4661 | 18 LOWER FAN DEFLECTOR (715C) | 1 |
| A3940 | 27 LOWER FAN DEFLECTOR (715C) | 1 |
| A5551 | #12 X 1/2 PAN HEAD SCREW, FAN DEFLECTOR | 2 |
| A5552 | 1/8 RIVET-COUNTERSUNK FOR FANS | 8 |

PARTS LIST CONTINUED

| Part # | Component Description | Per Machine |
|-------------------|--|-------------|
| A5737 | FAN FOR DELUXE MACHINE 2002 | 1 OR 2 |
| A4657 | 18 REINFORCING BAR (616B) | 1 |
| A3993 | 27 REINFORCING BAR (616B) | 1 |
| A4663 | 18 CUT-OFF BRACKET W/KNIFE (605B) | 1 |
| A5844 | 27 CUT-OFF BRACKET W/KNIFE (605B) | 1 |
| RIGHT ZONE | | |
| A0970BU | BLUE FRICTION STUD (902B) | 1 |
| A0970RD | RED FRICTION STUD (902B) | 1 |
| A0971BU | FRICTION STUD LABEL, BLUE | 1 |
| A0971RD | FRICTION STUD LABEL, RED | 1 |
| A3226 | LEATHER WASHER (905B) | 2 |
| A5104 | FRICTION DISK (906B) | 2 |
| A3995 | SUPPLY ROLL SPRING (910P) | 2 |
| A3998 | TENSION ADJUSTMENT KNOB (903B) | 2 |
| A3225 | VARIABLE SPEED MOTOR (300PVSR) | 1 |
| A3874 | MOTOR SPROCKET (301P) | 1 |
| A3876 | PULL ROLL SPROCKET (Small) (303P) | 1 |
| A3877 | LAMINATING ROLL SPROCKET (Medium) (302P) | 1 |
| A9978 | DRIVE CHAIN (304PA) | 1 |
| A5879 | ARL TEMP CONTROL KNOB | 1 |
| A4709 | HARNESS FOR DIGITAL CONTROLLER RIGHT SIDE | 1 |
| A4689 | ARL SERIES DIGITAL TEMPERATURE CONTROLLER | 1 |
| A4707 | TERMINAL BLOCK W/O JUMPER, RIGHT | 1 |
| A5927 | DIGITAL RIGHT PANEL LABEL 2002 | 1 |
| A5559 | RIGHT SIDE PLATE COMPLETE 2002 | 1 |
| A9926 | DIGITAL BLUE RIGHT SIDE HOUSING 2002 | 1 |
| COMMON | | |
| A1150 | CABLE TIE 8" | |
| A1151 | CABLE TIES 4" | 2 |
| A1152 | CABLE TIES 18" | 7 |
| A4523 | #8 EXTERNAL TOOTH LOCK WASHER (4W) | 8 |
| A4525 | 1/4 SPLIT LOCK WASHER | 1 |
| A4526 | BLIND RIVET, GRIPPER DOG, TINNERMAN BRACKET | 2 |
| A4528 | #8 X 1/4 HEX WASHER HEAD SCREW | 8 |
| A4548 | 6-32 X 3/8 PAN HEAD PHILLIPS SCREW (408S) | 3 |
| A4555 | #4 FLAT WASHER ZINC PLTD, FOR TINNERMAN BKT | 5 |
| A4676 | 10-32 X 3/8 BUTTON HEAD CAP SCREW | 4 |
| A4746 | WIRING HARNESS CLAMP | 4 |
| A4788 | 4-40 X 5/16 BUTTON HEAD CAP SCREW | 2 |
| A5553 | BLIND RIVET AD64BS (14V) | 6 |
| A3970 | USI THREADING BOARD | 4 |
| A4505 | TIE MOUNTING PAD | 1 |
| A4507 | DECALS/LABELS | 7 |
| A4508 | NYLON SPACER, MOTOR CONTROL OR TIMER BOARDS | 1 |
| A4510 | 10-32 X 1" SOCKET CAP SHOULDER SCREW, LOWER HEATSHOE R | 2 |
| A4511 | 10-32 X 1 1/4 SOCKET HEAD CAP SCREW, LOWER HEATSHOE L | 2 |
| A4516 | 10 X 1/2 PAN HEAD PHILLIPS SCREW (214S) | 2 |
| A4517 | 1/4-20 X5/8 BUTTON CAP SCREW | 10 |
| A5763 | FOAM END CAPS 2002 | 2 |
| A5791 | DIGITAL OPERATIONS MANUAL 2002 | 1 |
| A5667 | 18 CARTON 2002 | 1 |
| A5813 | 27 CARTON 2002 | 1 |

NOTE: When ordering parts, please have complete machine model and serial numbers. These are located on an ID tag on the rear of the machine.

FILM

STANDARD ROLL FILM

Superb value for your dollar, USI's Standard Roll Film is the obvious choice for schools or anywhere cost is the deciding factor. Standard Roll Film offers strong bonding characteristics to paper and paper type products. This low density resin has a melting temperature of 275°-300°F and a bonding temperature 280°F. FDA Approved.

OPTI CLEAR® ROLL FILM

The Clearest Film In The World

Opti Clear® Roll Film produces a permanent bond to paper and additional substrates including those with wax based ink, clay coated surfaces and heavy ink laydowns. Opti Clear® has a melting temperature of approximately 220°-250°F. Exceptionally clear results makes this film the optimum choice for library book jackets, poster boards, menus, educational aids and more.

PHOTO PLUS® ROLL FILM

#1 Film For Photographic Purposes

USI's premium Photo Plus® Roll Film utilizes the highest quality and most aggressive adhesive to insure a superior bond to photographic surfaces. Adherence capabilities are numerous and include plastic, metal, vinyl, wax based ink, photographs and color copy bonding. Excellent resistance to extreme temperatures ensures a hard, solid product that will not crack, break or soften. The bonding temperature of Photo Plus® Roll Film is 235-250°F.

DIGISEAL® ROLL FILM WITH UVI

USI's DigiSeal®, low temperature with Ultra Violet Inhibitors (UVI), Roll Film is the ideal choice for laminating sensitive mediums or latex based surfaces, such as wide format inkjet output. Designed with special inhibitors that block the damaging effects of ultraviolet radiation sunlight and fluorescent lighting. DigiSeal® has a melting temperature of approximately 185°-220°F.

ULTRA VIOLET ROLL FILM

UV Roll Film was designed with UVA and UVB inhibitors that serve to block the sun's rays. This specially coated film eliminates the deterioration and breakdown caused by extreme exposure. Laminated projects can be produced well in advance and displayed indoors or outdoors without worry. UV Film has a melting temperature of approximately 220°-250°F.

PRESSURE SENSITIVE ROLL FILM

Pressure sensitive decals can be manufactured in minutes, saving budgeting dollars. Just remove the release liner on the back and stick to most any surface! Combine with medium weight, 5.0 mil Opti Clear Roll Film to produce the best results. Pressure Sensitive Film has a melting temperature of approximately 235°-275°F.

ULTRA MATTE ROLL FILM

Ultra Matte Roll Film easily accepts pen, pencil and marker, while resisting smudging. The frosted glare free finish provides exceptional indoor-outdoor application. Ultra Matte Roll Film offers firm adherence to paper, vinyl, plastic and some metal. Ultra Matte Film has a melting temperature of approximately 235°-250°F.

VALUEWRAP™ ROLL FILM

USI's most economical film yet, ValueWrap is the perfect film for our price-sensitive customers. This film works best on prints with low ink coverage, and is a great choice when laminating crafts, projects, and other every day items where the brilliance of our higher end films is not necessary. Bonding temperature is 260°F.

USI's New Color-Code Film System

USI Color Codes all of its Roll Film and Roll Laminators!

We are the only lamination company to offer this unique trouble-free system. That's right, we are making film loading even easier. We have completely removed the possibility of placing the adhesive side of the film down on the machine. This is a common problem for most laminator users. That problem will no longer be yours. When it comes to laminating, USI is here to make the job as easy and convenient as possible!

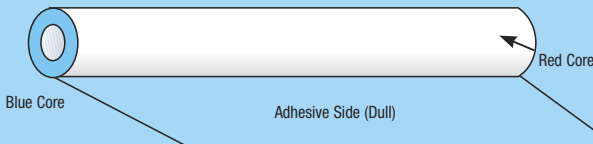
Here's how it works:

Your new roll laminator is color coded on the upper and lower film supply mandrels and machine side housings. All 1" and 2 1/4" roll films are also color coded as well. Simply match the red core of the film roll to the red end of the supply mandrel and machine side housing. For the bottom mandrel, simply match the blue core of the film roll to the blue end of the supply mandrel and machine side housing. Now simply thread the film as shown in the manual and you're ready to laminate with confidence!



Color Code helps you easily match up the correct side of the roll when installing film onto your roll laminator.

Roll Film Rolled Adhesive Side In



Roll Film Rolled Adhesive Side Out



Please feel free to call our Technical Department if you should have any questions about this process.

800-752-9131

If it's not color code, it's too hard to load!

USI Corporate Headquarters:
98 Fort Path Road Madison, CT 06443-2264
(203) 245-8586 • (800) 243-4565 • Fax 24 Hour (203) 245-7337

East Coast Distribution Center: Madison, Connecticut
West Coast Distribution Center: Phoenix, Arizona